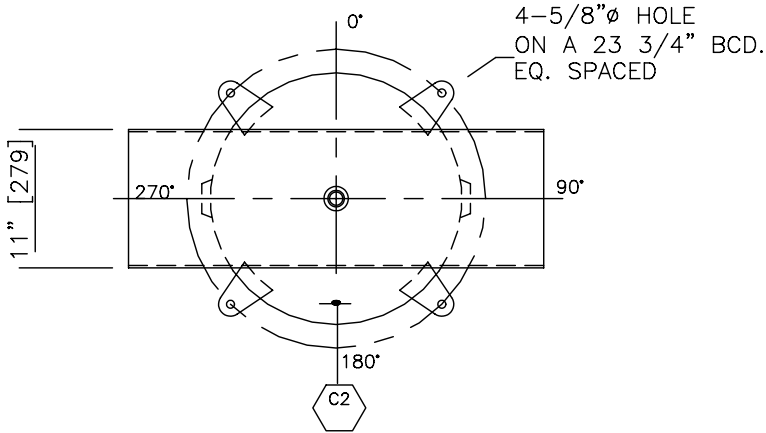
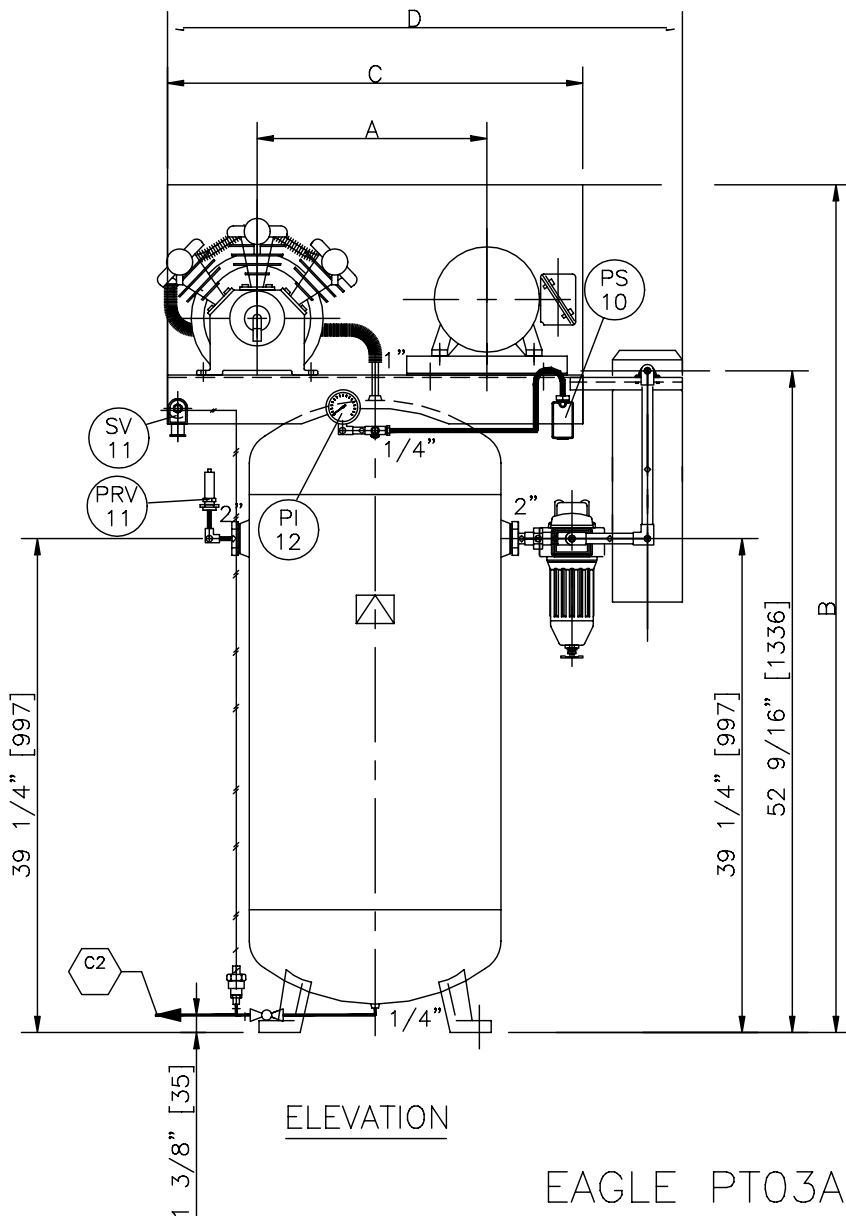
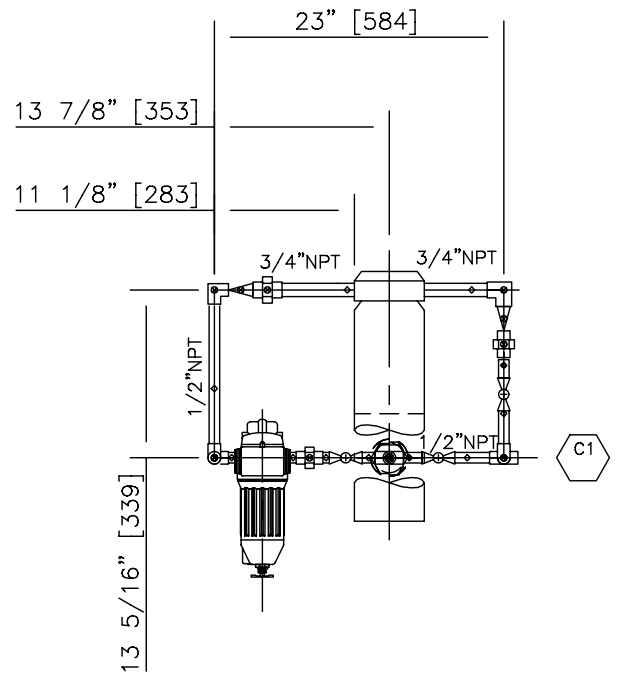


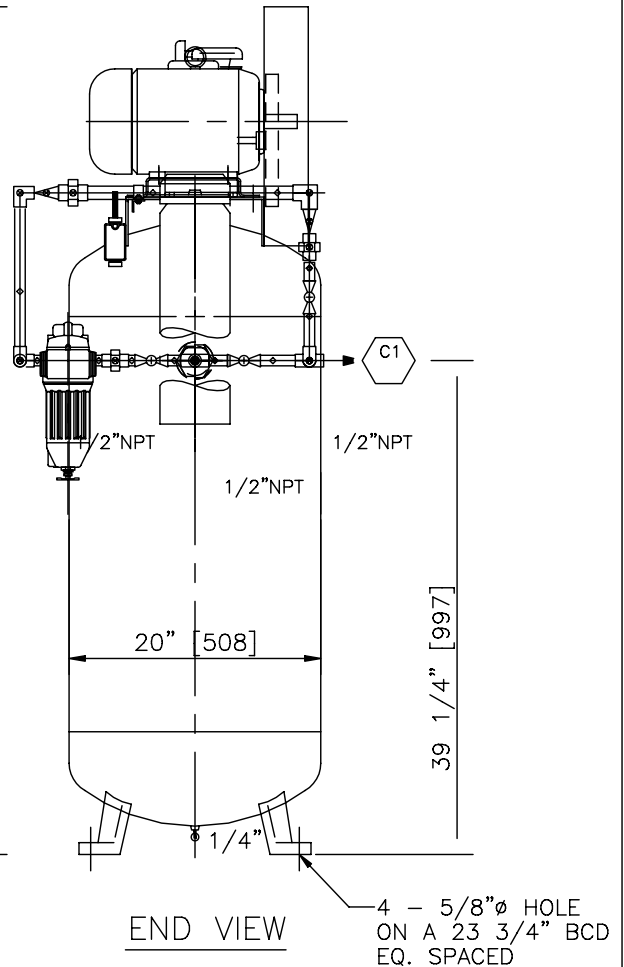
MOTOR	UNIT VARIABLE LEGEND				FILTER	DRYER	RECEIVER
	A	B	C	D			
3HP,3PH/230-460V/60Hz	14 3/4"	62 3/4"	33"	41"	DF20-B-4-DP	DMD5-6	60VE20X48
3HP,1PH/230V/60Hz	14 3/4"	62 3/4"	33"	41"	DF20-B-4-DP		



RECEIVER 60VE20X48 TOP VIEW
TRUE ORIENTATION



ELEVATION



END VIEW

EAGLE PT03A
GENERAL LAYOUT